

Atlas Copco

Oil-injected Rotary Screw Compressors
GX 2-11, 3-15 hp



Sustainable Productivity

Atlas Copco

Technical specifications GX 2-3-4-5-7-11

COMPRESSOR TYPE	Max. working pressure		Capacity FAD*			Installed motor power		Noise level**	Weight (kg/lbs)***	
	bar(e)	psi	l/s	m ³ /h	cfm	kW	hp	dB(A)	Pack	Full Feature
50 Hz VERSION										
GX 2	10	145	4.0	14.4	8.5	2.2	3	61	153/337	187/412
GX 3	10	145	5.3	19.1	11.2	3	4	61	157/346	191/421
GX 4	10	145	7.8	28.1	16.5	4	5	62	159/350	193/425
GX 5	10	145	10.0	36.0	21.2	5.5	7.5	64	164/361	198/436
GX 7	7.5	109	19.6	70.6	41.5	7.5	10	65	245/540	314/692
	10	145	16.1	58.0	34.1	7.5	10	65	245/540	314/692
	13	189	12.9	46.4	27.3	7.5	10	65	245/540	314/692
GX 11	7.5	109	27.0	97.2	57.2	11	15	67	257/567	326/719
	10	145	23.3	83.9	49.4	11	15	67	257/567	326/719
	13	189	19.0	68.4	40.3	11	15	67	257/567	326/719

* Unit performance measured according to ISO 1217, Ed. 3, Annex C-1996.

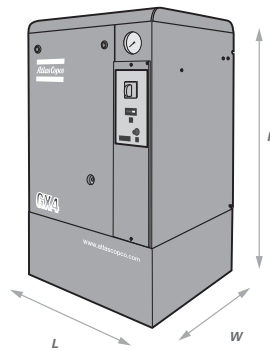
** Mean noise level measured according to Pneurop/Cagi PN8NTC2 test code; tolerance 3 dB(A).

*** Tank mounted. Standard air receiver size, GX 2-5: 200 l/60 gal, GX 7-11: 270 l/80 gal.

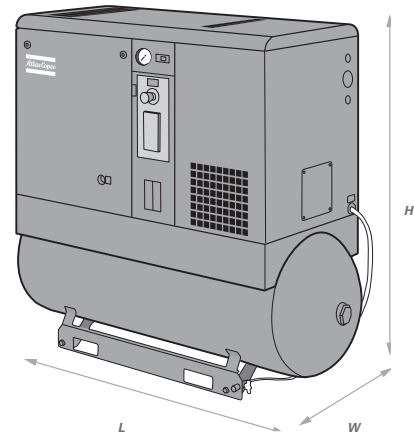
Available options

	GX 2-5	GX 2-5 FF	GX 7-11	GX 7-11 FF
Integrated aftercooler	N/A	N/A	•	Installed
Water separator (shipped loose)	N/A	N/A	•	Installed
Timer water drain on water separator (shipped loose)	N/A	N/A	•	N/A
Electronic no loss water drain on water separator (shipped loose)	N/A	N/A	•	Installed
Integrated high-performance PDx filter kit	N/A	•	N/A	•
500 l/120 gal air receiver (tank mounted only)	N/A	N/A	•	•
Tropical thermostat	N/A	N/A	•	•

	L (mm)	W (mm)	H (mm)
PACK FLOOR MOUNTED			
GX 2-5	620	605	995
GX 7-11	810/840*	700	1085
FULL FEATURE FLOOR MOUNTED			
GX 2-5	N/A	N/A	N/A
GX 7-11	1205/1235*	700	1085
PACK TANK MOUNTED			
GX 2-5	1420	575	1280
GX 7-11**	1533	640	1332
FULL FEATURE TANK MOUNTED			
GX 2-5	1420	575	1280
GX 7-11**	1533	640	1332



GX 2-5 Floor Mounted



GX 7-11 FF Tank Mounted

* Length with inlet grating.

** Dimensions of GX 7-11 tank mounted are 1935 x 640 x 1463 mm (L x W x H) with a 500 l / 120 gal vessel and 1553 x 640 x 1463 mm (L x W x H) with a 270 l / 70 gal vessel.



Atlas Copco Compressor Technique

Atlas Copco

Atlas Copco (India) Ltd.
Sveanagar, Dapodi, Pune 411012.
Phone: 020 - 3985 2100 Fax: 020 - 3985 7009
Email : info.compressor@in.atlascopco.com
www.atlascopco.com

Reach us @ 1800 200 0030